

YZF-R1S/YZF-R1SC WIRING DIAGRAM

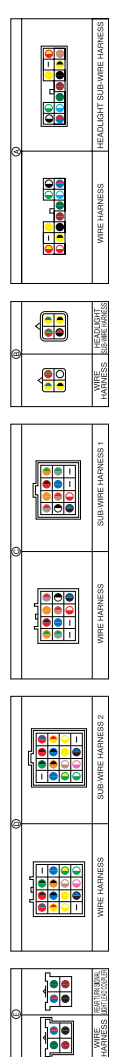
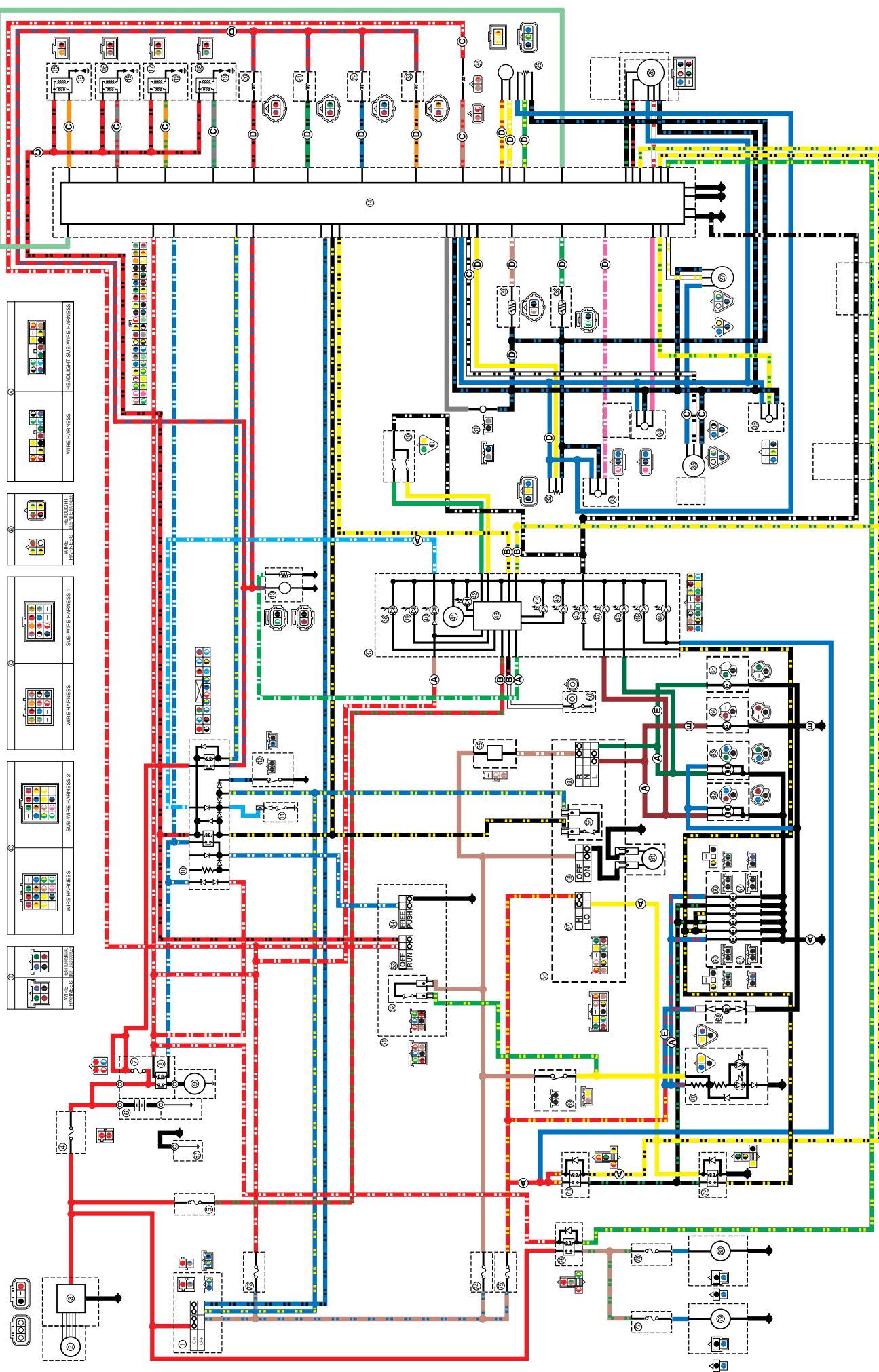
- ① Main switch
- ② A.C. magneto
- ③ Rectifier/regulator
- ④ Fuse (main)
- ⑤ Fuse (backup)
- ⑥ Battery
- ⑦ Fuse (fuel injection)
- ⑧ Starter relay
- ⑨ Starter motor
- ⑩ Starting circuit cut-off relay
- ⑪ Neutral switch
- ⑫ Sidestand switch
- ⑬ Fuel pump
- ⑭ E.C.U
- ⑮ Ignition coil #1
- ⑯ Ignition coil #2
- ⑰ Ignition coil #3
- ⑱ Ignition coil #4
- ⑲ Spark plug
- ⑳ Injector #1
- ㉑ Injector #2
- ㉒ Injector #3
- ㉓ Injector #4
- ㉔ Air induction system solenoid
- ㉕ Sub-throttle position sensor
- ㉖ EXUP servo motor
- ㉗ Speed sensor
- ㉘ Coolant temperature sensor
- ㉙ Intake air temperature sensor
- ㉚ Option switch
- ㉛ Crankshaft position sensor
- ㉜ Throttle position sensor
- ㉝ Intake air pressure sensor
- ㉞ Atmospheric pressure sensor
- ㉟ Cylinder identification sensor
- ㊱ Lean angle cut-off switch
- ㊲ Meter assembly
- ㊳ Fuel level warning light
- ㊴ Oil level warning light
- ㊵ Neutral indicator light
- ㊶ Tacho meter
- ㊷ Shift timing indicator light
- ㊸ Multi function meter
- ㊹ Engine trouble warning light
- ㊺ Coolant temperature indicator light
- ㊻ Hi beam indicator light
- ㊼ Turn signal indicator light (left)
- ㊽ Turn signal indicator light (right)
- ㊾ Meter light
- ㊿ Oil level switch
- ① Right handlebar switch
- ② Front brake light switch
- ③ Engine stop switch
- ④ Start switch
- ⑤ Turn signal relay
- ⑥ Left handlebar switch
- ⑦ Dimmer switch
- ⑧ Horn switch

- ⑤⑨ Clutch switch
- ⑥⑩ Turn signal switch
- ⑥① Horn
- ⑥② Front turn signal/position light (left)
- ⑥③ Front turn signal/position light (right)
- ⑥④ Rear turn signal light (left)
- ⑥⑤ Rear turn signal light (right)
- ⑥⑥ Headlight
- ⑥⑦ Auxiliary light
- ⑥⑧ License plate light
- ⑥⑨ Rear brake light switch
- ⑦⑩ Tail/brake light
- ⑦① Headlight relay (on/off)
- ⑦② Headlight relay (dimmer)
- ⑦③ Fuse (ignition)
- ⑦④ Fuse (signal)
- ⑦⑤ Fuse (headlight)
- ⑦⑥ Radiator fan motor relay
- ⑦⑦ Fuse (radiator fan motor left)
- ⑦⑧ Fuse (radiator fan motor right)
- ⑦⑨ Radiator fan motor 2
- ⑧⑩ Radiator fan motor 1
- ⑧① Ground

COLOR CODE

B	Black	G/Y ..	Green/Yellow
Br	Brown	Gy/B .	Gray/Black
Ch . . .	Chocolate	Gy/G .	Gray/Green
Dg . . .	Dark green	Gy/R .	Gray/Red
G	Green	L/B ...	Blue/Black
Gy . . .	Gray	L/R ..	Blue/Red
L	Blue	L/W ..	Blue/White
Lg	Light green	L/Y ...	Blue/Yellow
O	Orange	O/B ..	Orange/Black
P	Pink	O/G ..	Orange/Green
R	Red	P/W ..	Pink/White
Sb	Sky blue	R/B ..	Red/Black
W	White	R/G ..	Red/Green
Y	Yellow	R/L ..	Red/Blue
B/G ..	Black/Green	R/W ..	Red/White
B/L ...	Black/Blue	R/Y ..	Red/Yellow
B/R ..	Black/Red	Sb/W .	Sky blue/White
B/W ..	Black/White	W/B ..	White/Black
B/Y ..	Black/Yellow	W/R ..	White/Red
Br/G .	Brown/Green	W/Y ..	White/Yellow
Br/L ..	Brown/Blue	Y/B ..	Yellow/Black
Br/R ..	Brown/Red	Y/G ..	Yellow/Green
Br/W .	Brown/White	Y/L ...	Yellow/Blue
G/B ..	Green/Black	Y/R ..	Yellow/Red
G/R ..	Green/Red	Y/W ..	Yellow/White
G/W ..	Green/White		

YZF-R1S / YZF-R1SC WIRING DIAGRAM



COLOR CODE

Black	Red	Black/Blue	Brown/Blue	Green/Yellow	Blue/White	Red/Black	Sky blue/White	Yellow/Green
Brown	Sky blue	Black/Red	Brown/Red	Gray/Green	Blue/Yellow	Red/Green	White/Black	Yellow/Blue
Chocolate	White	Black/White	Brown/White	Gray/Red	Orange/Black	Red/Blue	White/Red	Yellow/Red
Dark green	Yellow	Black/Yellow	Green/Black	Blue/Black	Orange/Green	Red/White	White/Yellow	Yellow/White
Green	Black/Green	Brown/Green	Green/White	Blue/Red	Pink/White	Red/Yellow	Yellow/Black	